

High Temperature High Bay

H03

Up to **65°C**



With the awareness of energy-saving, high temperature LED High Bay, is also mentioned by the market for heavy industry. According to this growing request, ERVAN specially pays high attention to this special design, solving difficult temperature issue. The unique heat sink and driver design in combination with an rebreather valve make it suitable for use in demanding areas with up to 65°C ambient temperature, an ideal solution for heavy industry, for example, steel factory.



Features

- Harsh conditions application
- Up to Ta 65°C
- 5.5Kg Aluminum for heat dissipation
- Rebreather Valve design for high temperature stability
- Patented classic design



IP65



IK08



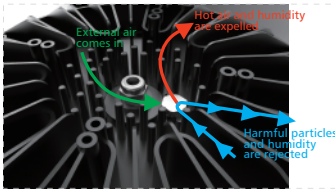
CLASS I



3 years warranty



RG0



Rebreather valve design inside

Program Dimmable
(Vaux 12V)

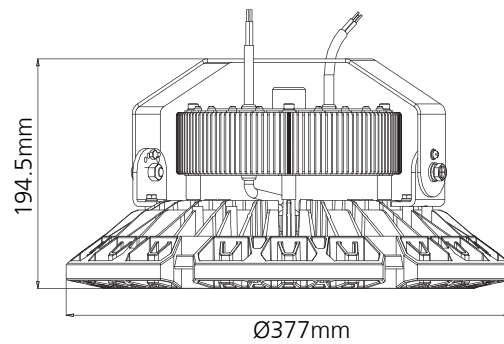
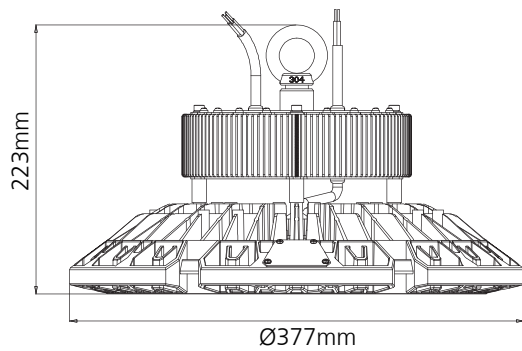
-40°C ~ +65°C Driver



Lens cover 60° / 90°
Tempered glass cover 110°
Honey comb cover

5.5kg Aluminum heatsink
better heat dissipation

Product Dimension



Parameter

Model NO. / Length	Power (W)	Luminous Flux 180lm/W
H03-R380	150	27000
H03-R380	180	32400

Above lumens based on 4000K Ra : 80

AC Input : 100-277V 50/60Hz

Light Source : 3030

CRI Range : 70 / 80 SDCM < 6 (SDCM < 3)

CCT Range : WW(3000K) NW(4000K) DW(5000K) CW(6500K)

Light Efficiency : 180Lm/W , 190Lm/W

Beam Angle : 60° / 90° / 110°

Size(mm) : Ø380

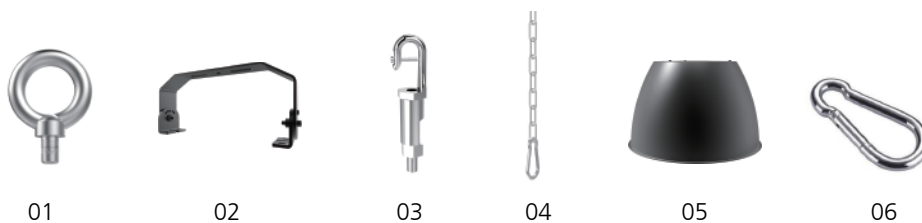
Waterproof : IP65 & IK08

Recommended Installation Height : 3-20M

PF: ≥ 0.93 THD < 20% Power Efficiency: ≥ 0.9

 Dimmable

Accessory part number matrix



Mounting Accessories

Accessories	IMAGE	DESIGNTION	MATERIAL	DESCRIPTION	QUANTITY	ACCESSORY USE
Standard	01	Round hook	Stainless steel	54X45X24mm	1PC	Used for suspending.
Optional	02	R380 Carabiner	Galvanized steel	285x105x42mm	1PC	Used for the absorption of Ceiling Mounted.
Optional	03	Pothook	Stainless steel	75.180X40X40mm	1PC	Used for the absorption of suspending.
Optional	04	Chain	Stainless steel	1M/2M/5M	1PC	Used for the absorption of suspending.
Optional	05	With reflector	Aluminum alloy	Ø400X280mm	1PC	Used for the absorption of suspending.
Optional	06	Carabiner	Stainless steel	60X29X6mm	1PC	Used for the absorption of suspending.



07



08

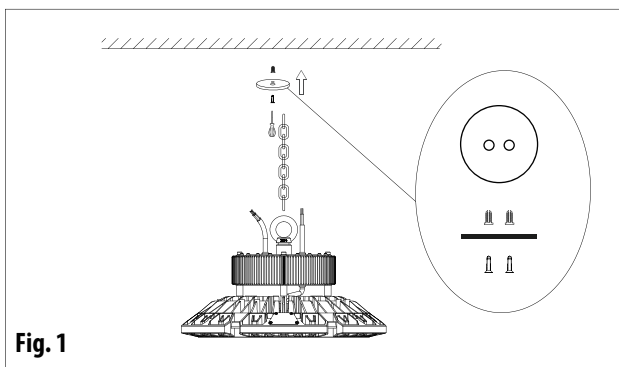
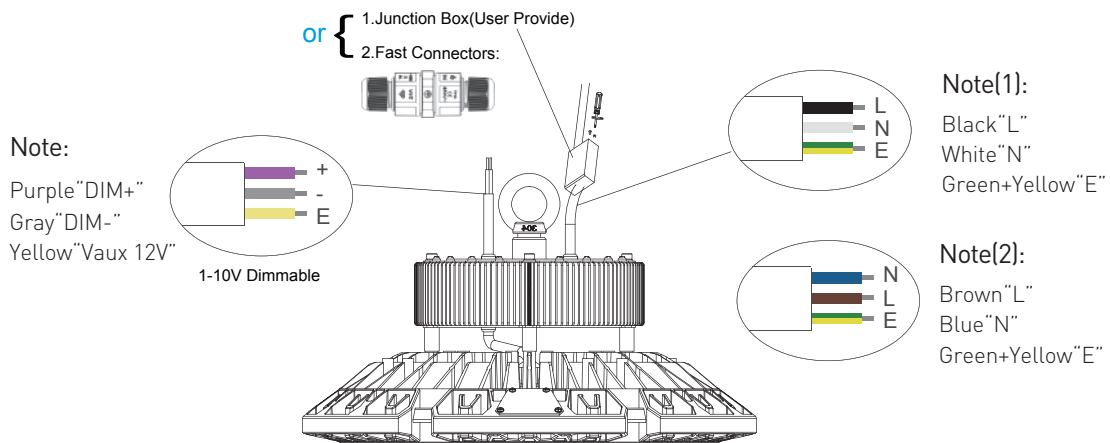


09

Sensor Accessories

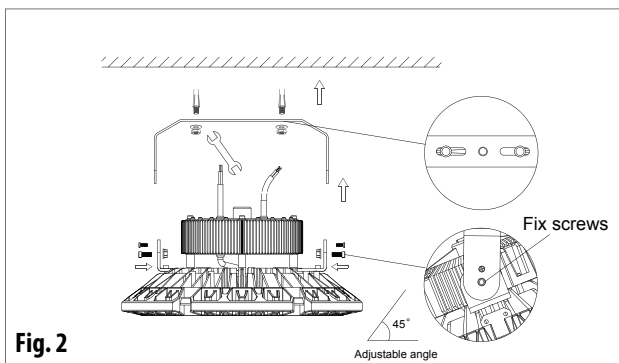
Accessories	IMAGE	DESIGNION	MAX VOLTAGE	QUANTITY	ACCESSORY USE
Optional	07	Connecting line	120-277V	1PC	Three core cable
Optional	08	Bulgin	120-277V	1PC	Waterproofing grade IP67
Optional	09	Plug(EU)	220-240V	1PC	Trigeminal joint

Installation



1a Suspending

- A : Make a right position and screw hole.
- B: Hook mounted.
- C. Connect the wire by junction box after power-off.
- D: Adjust the position of the fixture and clean it.



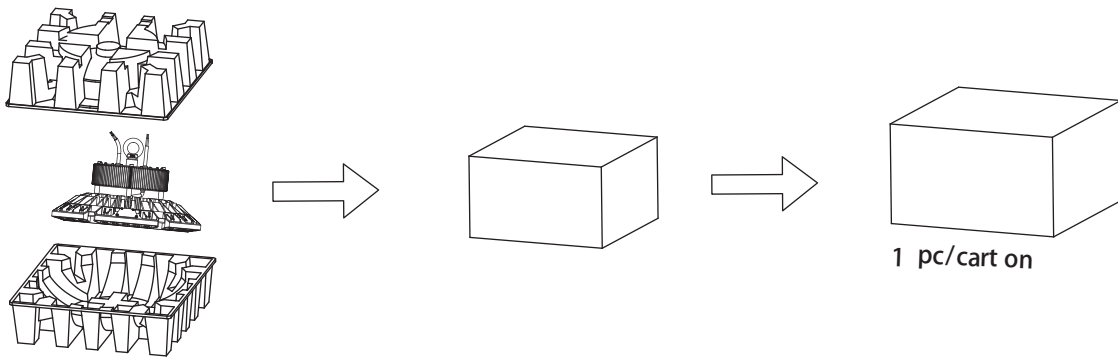
2a Ceiling Mounted

- A : Install the setscrews.
- B: Put the lamp card into the setscrews and lock it tightly.
- C. Connect the power cable.
- D: Adjust the lamp angle and clean it.

■ Please Note:All the operations must be in the condition of power off

■  The luminaires are intended for indoor use or under shelter for outdoor use.

Packaging



Model No.	Single Box	Pcs/ctn	N.W.(kg)	G.W./ctn(kg)	Meas(mm)
H03-R380	1	1	6.49	8.16	437x437x288
H03-R380	1	1	6.97	8.639	437x437x288

■ PLS Note : The current of the package's message pls check with the relative sales .

Attention

This specification is for reference only,we reserve the right to change without notice.If you need the updated info,please contact local distributors or visit our website at <http://www.ervan.cn>

ERVAN reserves the right of final explanation.